

# Floor Load Crate Dumper

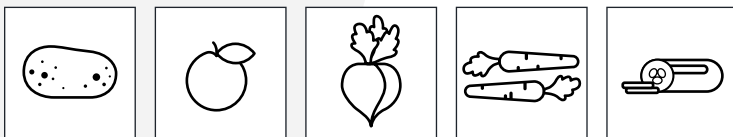
Fast & Efficient Crate Loading Directly  
from Floor to Line



The Floor Load Crate Dumper unloads product containers quickly from a forklift or pallet jack, improving your production and efficiency without compromising safety or traffic. Activated by a machine-mounted switch, the Crate Dumper is easy to operate with two presses of a button – one to invert the container and one to return it to its original position. The built-in chute funnels product into the line, minimizing spillage and ensuring the quality of your product. Its strong frame and sanitary design make it an essential piece of equipment for your processing line.

- Unload product crates, totes and bins quickly – in less than a minute – directly from your forklift
- Accommodates containers up to 2500 lbs. and 54" wide
- Easy operation – simply load a container from your forklift or pallet jack, press the machine-mounted control to invert the container over the line, then press again to return to the starting position
- Sanitary design with rounded and sloped surfaces allows for quick and thorough cleaning

## Common Food Applications



Potatoes

Apples

Beets

Carrots

Cucumbers

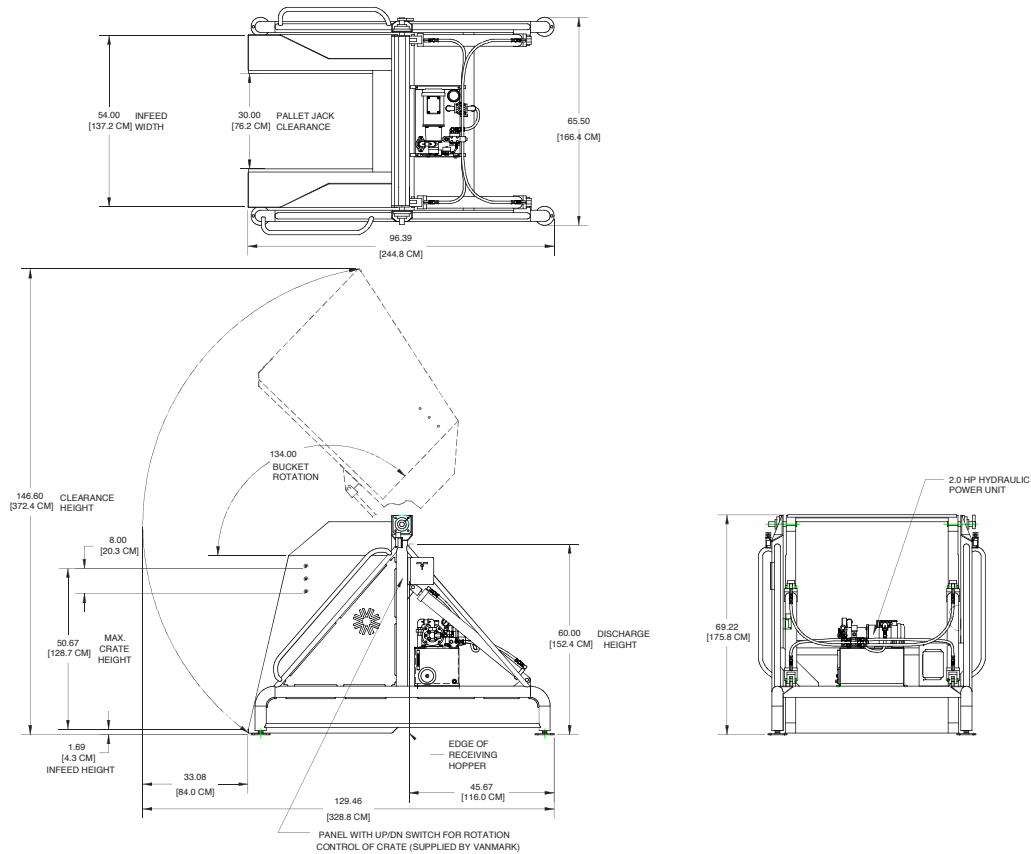


Onions

Pumpkins

Squash

# Floor Load Crate Dumper



## Specifications

Crate Size: 54"x54"x54"  
(137x137x137 cm)

Capacity: 2500 lbs (1134 kg)

Clearance Height: 146.6" (372 cm)

Dumping Cycle: 32-80 seconds

Dumping Angle: 135 degrees

Electrical: 208-230/460 V, 60 Hz,  
3 Phase

Motor: 2-7.5 HP (1.5-5.6 kW)

Weight: 1250 lbs. (567 kg)

## Features

- Tubular 304 stainless steel construction

## Options

- Stainless steel power pack: reservoir, fittings and motor
- Variety of control options available

E 8.17v4

## Contact Us

Vanmark is proud to provide top quality equipment, exceptional service and peace of mind worldwide for the potato and produce processing industries. Contact us for more information and to custom-fit the Floor Load Crate Dumper for your specific application.



To feed our growing world - Together

Phone: +1 740-201-0004

Email: sales@vanmark.com

vanmark.com