

# Multi hydro cyclone (HCC)

The quality and value of the final starch product are largely determined by the washing of the crude starch. White high-quality starch can be obtained only if fibre fragments, lipids, proteins and dissolved substances are washed out efficiently. Process steps in this stage are a multi-stage washing process, fine fibre separation and starch recovery from the wash water.

## Multi-stage washing process

The starch is washed by concentrating diluted starch in suspension and diluting it again with clearer water. In this way, contaminants are removed.

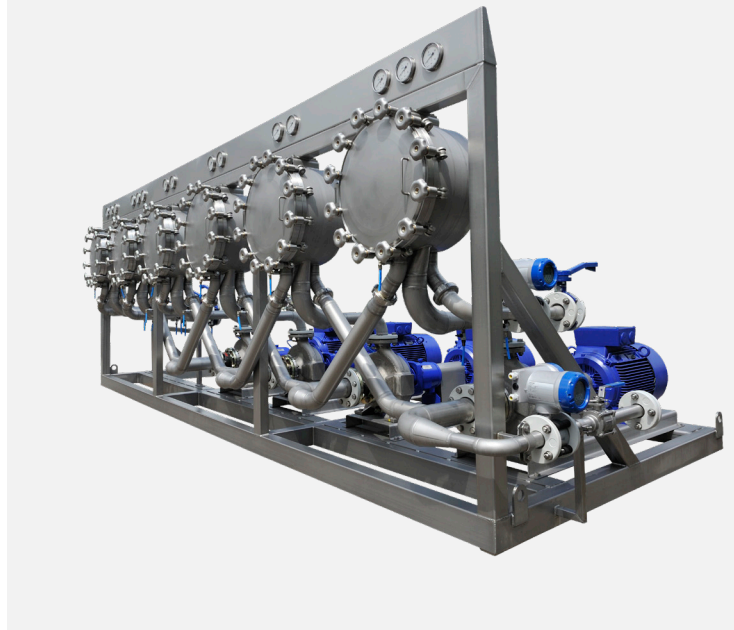
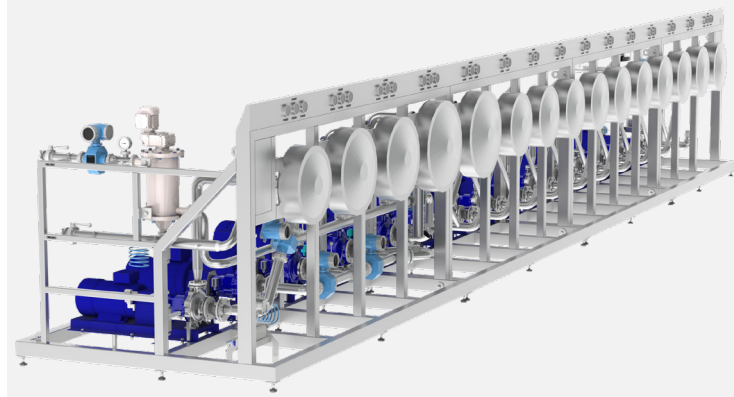
By using a counter-current flow principle, the amount of freshwater used is small. After this multi-stage process, almost all contaminants are washed out. Among the applications of the SiccaDania Hydrocyclone unit are concentration, peeler starch recovery and refining and washing of suspension.

## State-of-the-art mechanical design

- Cost effective
- No internal leakage: optimal sealing construction
- Pumps: Single mechanical seal with internal flush
- High wear resistant cyclonettes
- Compact design: serial and stacked
- Easy operation, service & maintenance
- Full capacity flexibility

## Broad range of applications

- Concentration
- Peeler starch recovery
- Refining and washing of suspensions



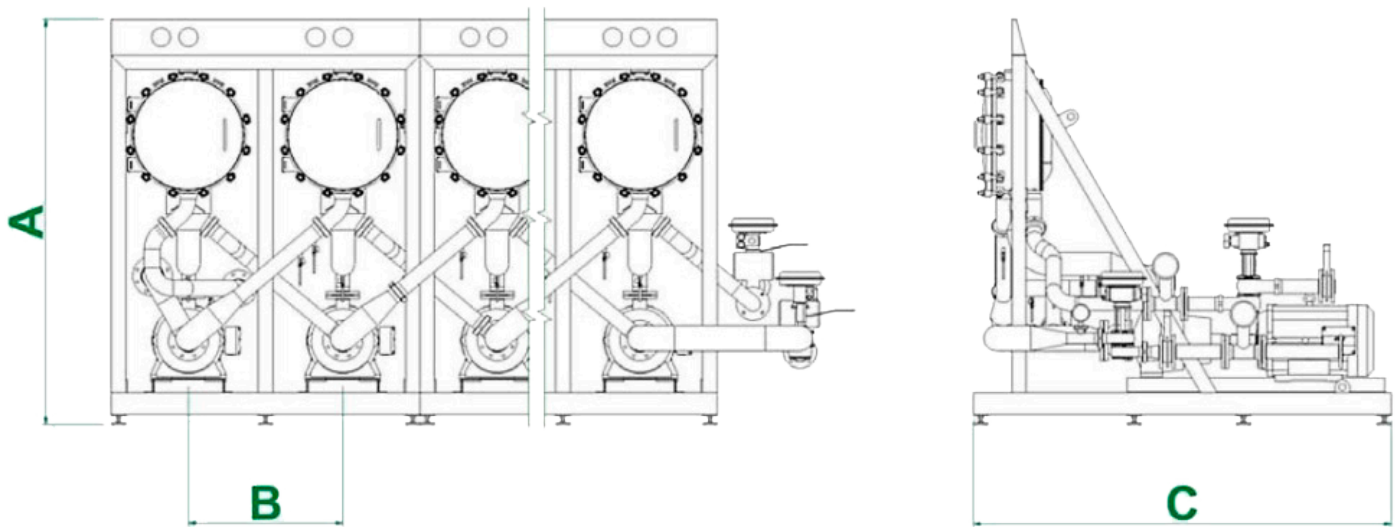
## Excellent performance

- High outlet concentration (>23Be)
- Excellent starch yield
- Low energy consumption
- Minimum down time
- Cleaning-In-Place (CIP)

## Full stainless steel

- Sustainability & long lifetime

## Technical data



Model	HCC 300*	HCC 350*	HCC 400*	HCC 450*	HCC 500*	HCC 550*	HCC 600*
A (mm)	1400	1400	1400	1400	1400	1400	1400
B (mm)	950	950	950	950	950	950	950
C (mm)	2300	2300	2300	2300	2300	2300	2300

## Spare parts

Mechanical seals



Cyclonette



Cyclonette blind



O-rings



Pressure indicator



Housing seals

